



## Aerospace Sensing & Controls

6607A Series  
Gauge Pressure Switch



Eaton's 6607A pressure switch is field adjustable and suitable for many commercial and utility applications as well as airborne and ground support applications that demand high reliability. The sensing mechanism for 6607 A1 through A6 consists of a diaphragm which acts against a calibrated spring-force in response to pressure. Units 6607 A7 through A9 are equipped with a piston pressure-sensing mechanism.

## Features

- Externally adjustable setpoint or factory set
- Small size, lightweight (less than 5 oz.)
- Ranges 2 to 3000 psig (0.15 to 210 bar)
- Aircraft quality
- Attractively priced
- Meets MIL-E-5272
- Anodized surface coating
- Standard soldering is in accordance with ANSI J-STD-001, Class 3

## Applications

- Fuel pressure
- Lubricating oil pressure
- Hydraulic pressure
- Torpedo depth control
- Aircraft engine bleed pressure and other environmental controls
- Diesel engine, gas/steam turbine control
- Nuclear and hydrocarbon fuel power generation plants

## Options

- Hermetically sealed electrical contacts
- Traceability
- Higher/lower temperatures available
- Mounting brackets
- Coatings: chromatic conversion or painted
- 6607 Series non-adjustable available.
- Switch can be factory-set and locked for tamper proof applications or can be customer adjustable.
- Other soldering standards may be incorporated upon request, including NHB5300, MIL-STD-454, or MIL-STD-2000A.

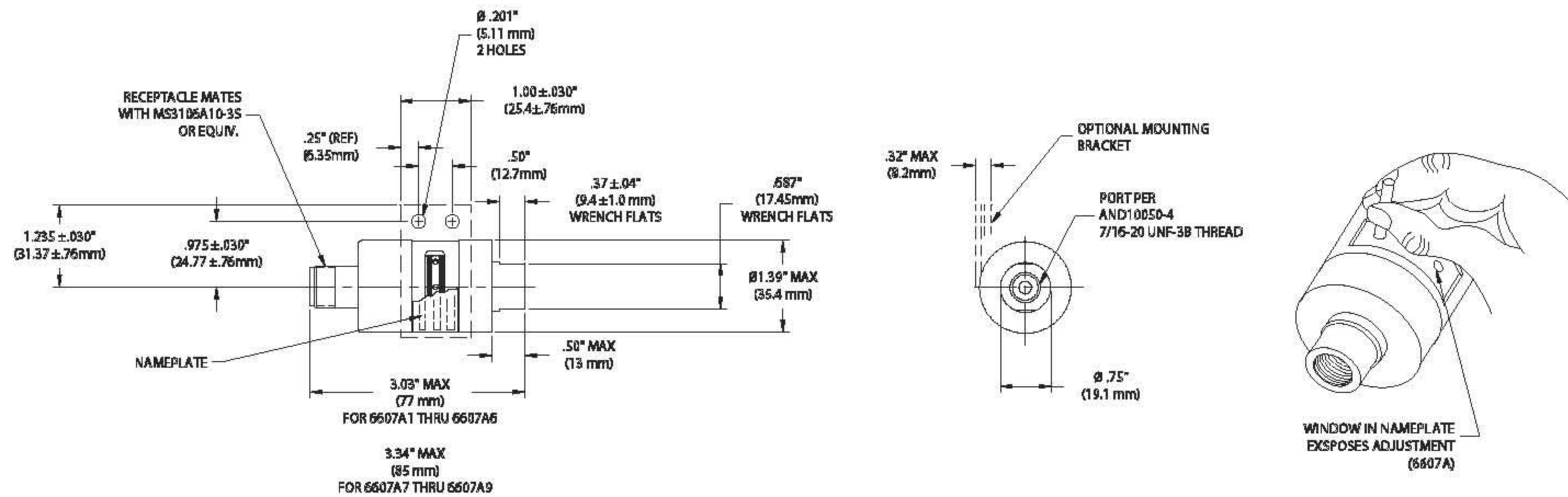
**ISO 9001  
AS 9100**

# Specifications

Type	Actuation Point Range				Differential Value		Proof Pressure		Burst Pressure	
	Decremental		Incremental		psig	bar	psig	bar	psig	bar
6607 A1	2	0.15	10	0.70	1	0.07	1000	70	2500	175
6607 A2	7	0.5	25	1.75	3	0.21	1000	70	2500	175
6607 A3	20	1.4	55	3.8	7	0.5	1000	70	2500	175
6607 A4	40	2.8	125	8.64	15	1.0	1000	70	2500	175
6607 A5	100	7	250	17	25	1.7	1000	70	2500	175
6607 A6	200	14	500	35	50	3.5	1000	70	2500	175
6607 A7	375	25	1000	70	125	8.5	4500	310	7500	520
6607 A8	750	50	2000	140	250	17	4500	310	7500	520
6607 A9	1600	110	3000	210	350	24	4500	310	7500	520

Temperature range	-65°F to 250°F (-54°C to 125°C)
Electrical rating	28 VDC 5A resis., 2A induc., 1A lamp load (Gold contacts available for low-current/dry circuit applications)
Cycle life	50,000 cycles minimum
Operating Media	Air, gas, oil, fuel
Environmental	MIL-E-5262A
Vibration	MIL-E-5272 Proc. I extended to 2,000cps
Shock	Up to 100g's
Weight	Type 6607A1-6607A6: 4.1 oz. (116 grams) Type 6607A7-6607A9: 5.0 oz. (142 grams)

## Dimensions



Eaton Corporation  
Sensing & Controls



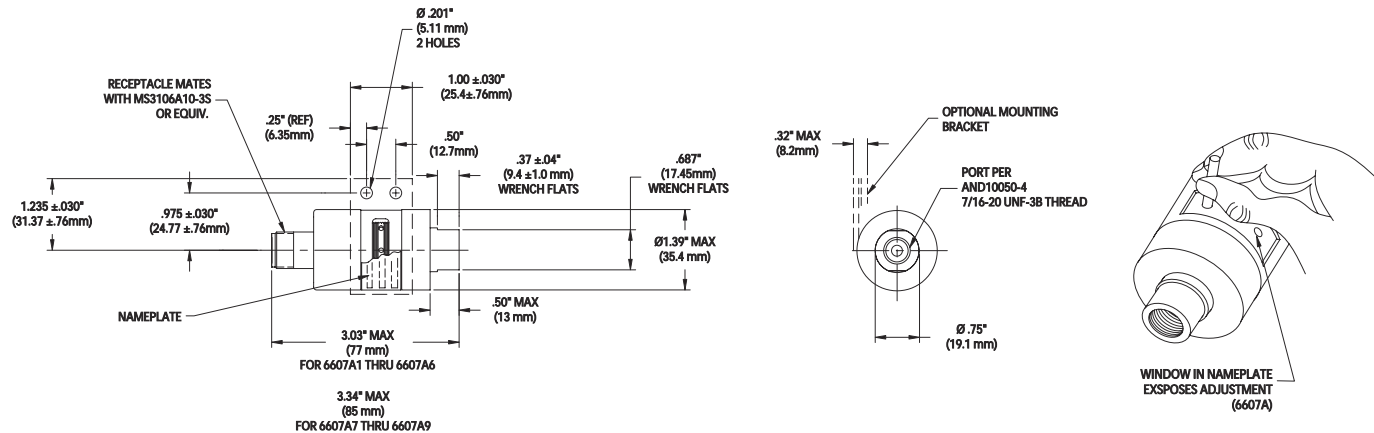
© 2005 Eaton Corporation  
All Rights Reserved  
Printed in USA  
Form No. DS-114B  
December 2005

# Specifications

Type	Actuation Point Range				Differential Value		Proof Pressure		Burst Pressure	
	Decremental		Incremental		psig	bar	psig	bar	psig	bar
6607 A1	2	0.15	10	0.70	1	0.07	1000	70	2500	175
6607 A2	7	0.5	25	1.75	3	0.21	1000	70	2500	175
6607 A3	20	1.4	55	3.8	7	0.5	1000	70	2500	175
6607 A4	40	2.8	125	8.64	15	1.0	1000	70	2500	175
6607 A5	100	7	250	17	25	1.7	1000	70	2500	175
6607 A6	200	14	500	35	50	3.5	1000	70	2500	175
6607 A7	375	25	1000	70	125	8.5	4500	310	7500	520
6607 A8	750	50	2000	140	250	17	4500	310	7500	520
6607 A9	1600	110	3000	210	350	24	4500	310	7500	520

Temperature range	-65°F to 250°F (-54°C to 125°C)
Electrical rating	28 VDC 5A resist., 2A induct., 1A lamp load (Gold contacts available for low-current/dry circuit applications)
Cycle life	50,000 cycles minimum
Operating Media	Air, gas, oil, fuel
Environmental	MIL-E-5262A
Vibration	MIL-E-5272 Proc. I extended to 2,000cps
Shock	Up to 100g's
Weight	Type 6607A1-6607A6: 4.1 oz. (116 grams) Type 6607A7-6607A9: 5.0 oz. (142 grams)

## Dimensions



Eaton Corporation  
Sensing & Controls  
15 Durant Avenue  
Bethel, CT 06801-1901  
USA  
tel: (203) 796-6000  
fax: (203) 796-6313  
www.aerospace.eaton.com

